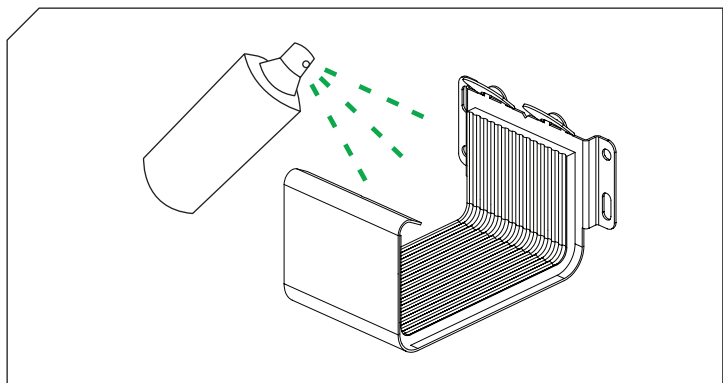
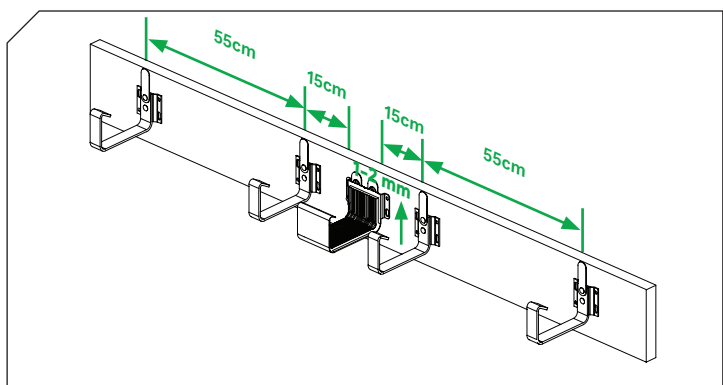


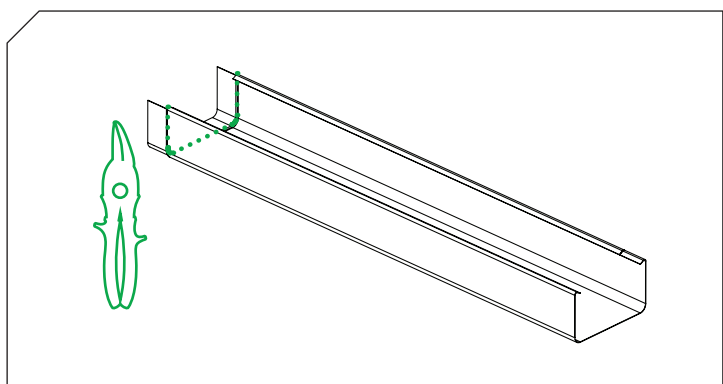
Expansion joint Q Stalyo PRO Installation manual



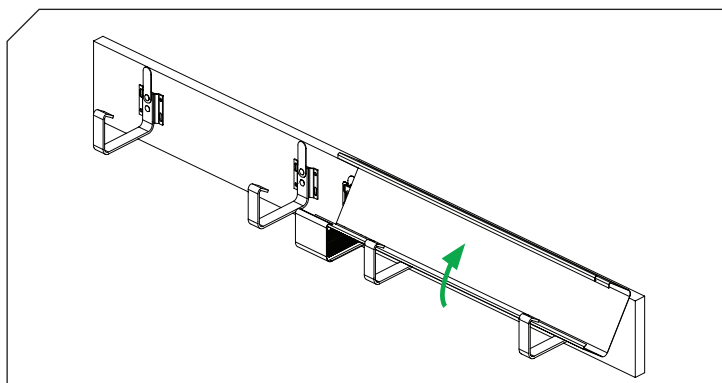
1. Prior to inserting the gutter into the connector, spray the gasket with a lubricant spray!



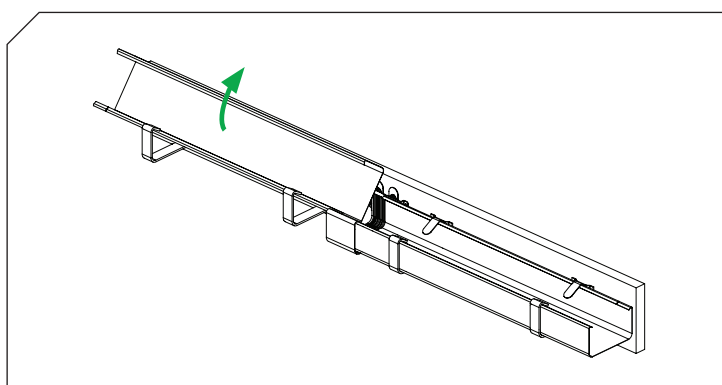
2. In order to ensure proper adhesion of the gutter bottom to the gasket, the connector should be raised by approx. 1-2 mm in relation to the level of adjacent brackets.



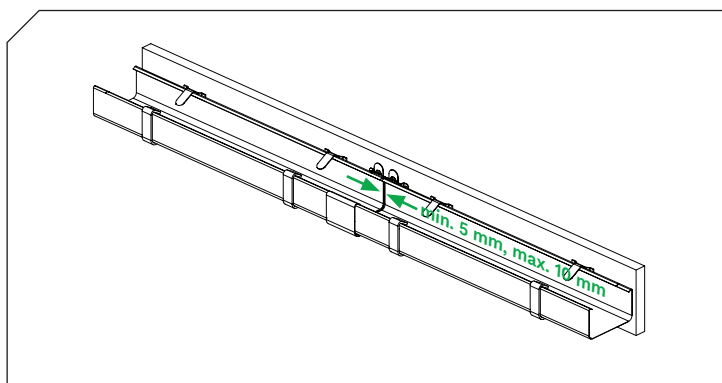
3. Use sheet metal scissors to cut off the stamped tip of the gutter that is to be placed in the connector.



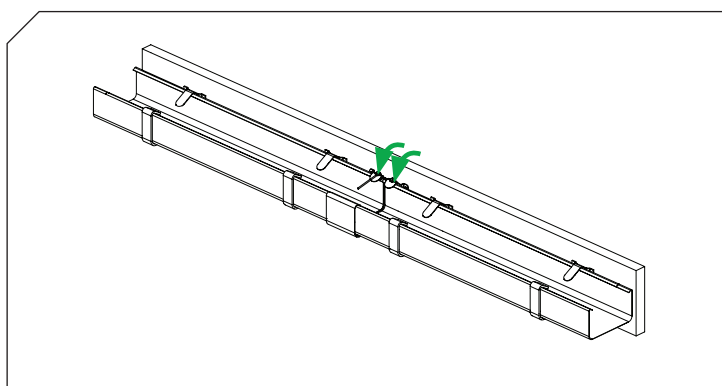
4. Attach one gutter to the brackets and the connector.



5. Attach the other gutter to the brackets and the connector.



6. Leave a 5-10 mm expansion gap between the gutters.



7. Fold the mounting plates of the connector.

Q Stalyo GPM sp. z o.o. sp. k.
ul. Przemysłowa 7a
32-083 Balice

www.qstalyo.com